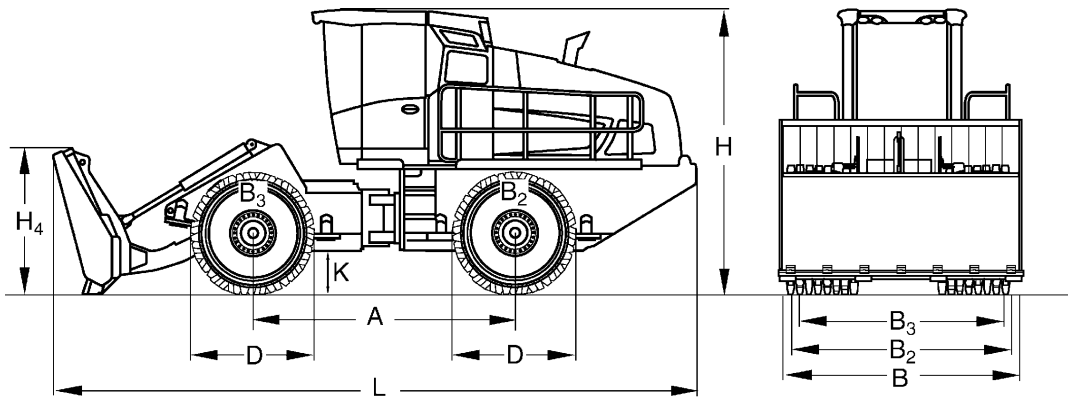


TECHNICAL DATA

REFUSE COMPACTOR

BC 473 RB-5, BC 573 RB-5





Dimensions in mm

	A	B	B2	B3	D	H	H4	K	L
BC 473 RB-5	3500	3600	3560	3335	1660	3820	1950	600	8610
BC 573 RB-5	3500	3600	3560	3335	1660	3820	1950	600	8610

Shipping dimensions in m3

BC 473 RB-5	118,405
BC 573 RB-5	118,405

Technical Data**BOMAG
BC 473 RB-5****BOMAG
BC 573 RB-5****Weights**

Grossweight	kg	26.800	29.100
Operating weight CECE	kg	26.000	28.300
Axle load, front CECE	kg	12.750	13.900
Axle load, rear CECE	kg	13.250	14.400

Driving Characteristics

Speed (1), forward	km/h	0- 4,5	0- 4,5
Speed (1), reverse	km/h	0- 4,5	0- 4,5
Speed (2), forward	km/h	0- 12,0	0- 12,0
Speed (2), reverse	km/h	0- 12,0	0- 12,0
Max. gradeability (dep. on soil con.)	%	100	100
Max. pushing force	kN	281	305

Drive

Engine manufacturer		Merc. Benz/MTU	Merc. Benz/MTU
Type		OM 936 LA	OM 936 LA
Emission stage		Stage V / TIER4f	Stage V / TIER4f
Exhaust gas aftertreatment		SCR+DOC+DPF	SCR+DOC+DPF
Cooling		Liquid	Liquid
Number of cylinders		6	6
Performance ECE R 120	kW	210,0	210,0
Performance SAE J 1349	hp	281,0	281,0
Speed	min-1	2.200	2.200
Travel system		hydrost.	hydrost.
Operating voltage	V	24	24

Compaction Wheels

Width, front	mm	1.125	1.125
Width, rear	mm	1.125	1.125
Outer diameter (front)	mm	1.660	1.660
Outer diameter (rear)	mm	1.660	1.660
Number of teeth/cutters, front		50	50
Number of teeth/cutters, rear		50	50
Compaction coverage per side	mm	1.238	1.238

Brakes

Service brake		hydrost.	hydrost.
Parking brake		hydromec.	hydromec.

Steering

Steering system		oscil.artic.	oscil.artic.
Steering method		hydraulic	hydraulic
Steering angle +/-	grad	35	35
Oscillating angle +/-	grad	15	15
Track radius, inner	mm	3.762	3.762

Dozer Blade

Height adjustment over ground level	mm	1.200	1.200
Height adjustment below ground level	mm	120	120
Dozer blade capacity acc. to SAE J 1265	m3	11,0	11,0

Capacities

Fuel	l	375,0	375,0
Hydraulic oil	l	260,0	260,0
AdBlue (DEF) ®	l	40,0	40,0

Technical modifications reserved. Machines may be shown with options.

Standard Equipment

Optional Equipment

- Polygonal compaction wheels, teeth with replaceable caps
- Sliding windows on both sides
- Premium compaction wheels with highly wear resistant teeth
- CD-Radio
- Pre start cabin heating
- Rotary beacon
- Fire extinguisher
- Special painting
- Electrical anti-theft system with numerical code
- Protective ventilation system (Pre-installation)
- Tool kit
- Protective grille for cabin
- Semi-U-Blade 3590mm
- Tachograph
- Cold start device
- LED Working head lights
- Cold start device 115V
- Cold start device 230V
- Protective grille, rear
- TELEMATIC POWER

